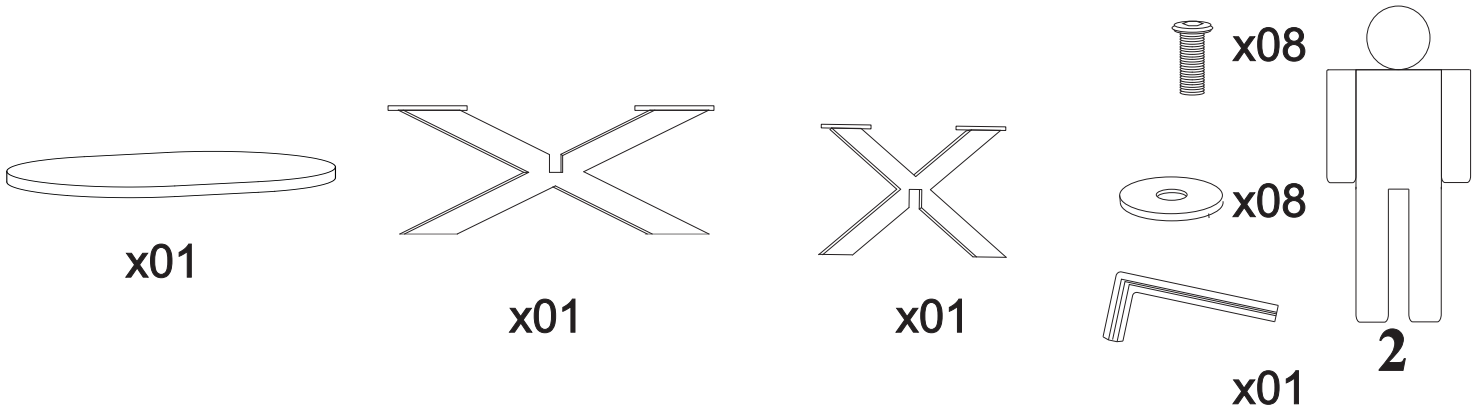
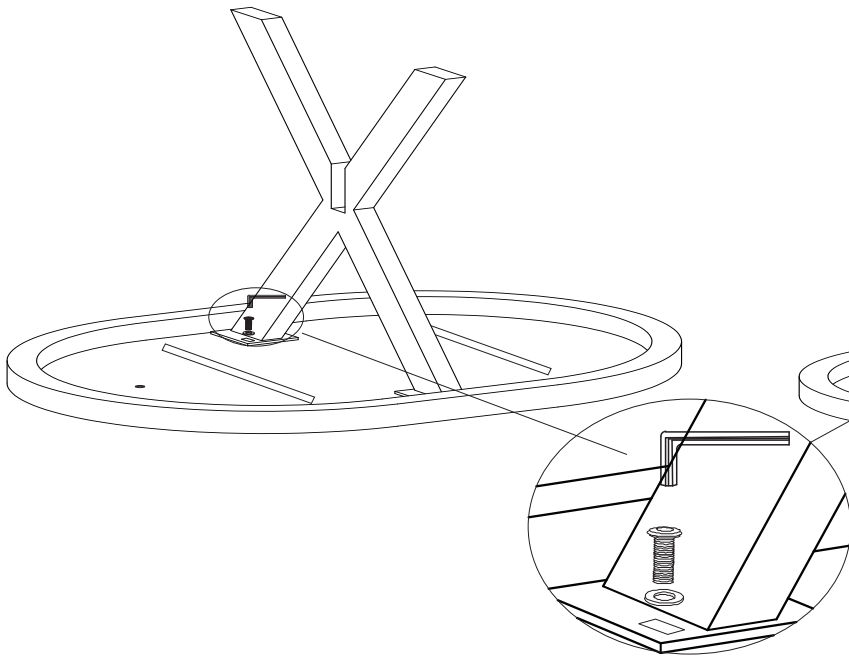


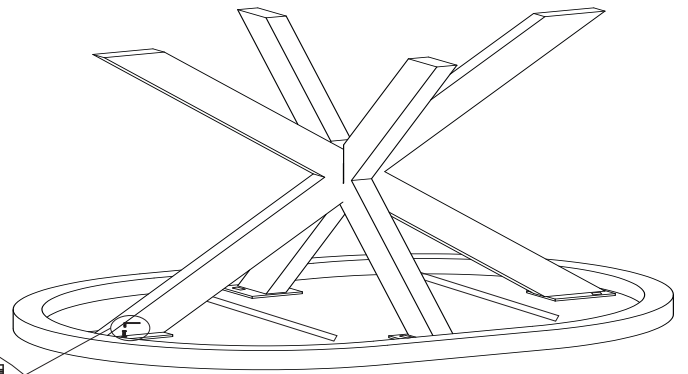
ASSEMBLY INSTRUCTION



Step-1



Step-2



Step-3

